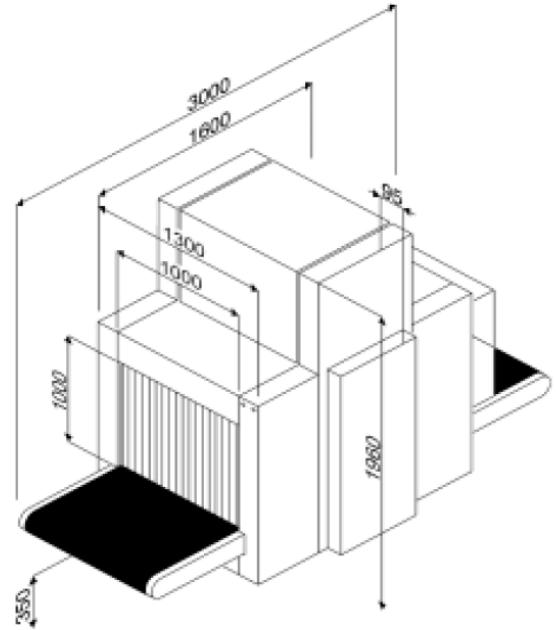
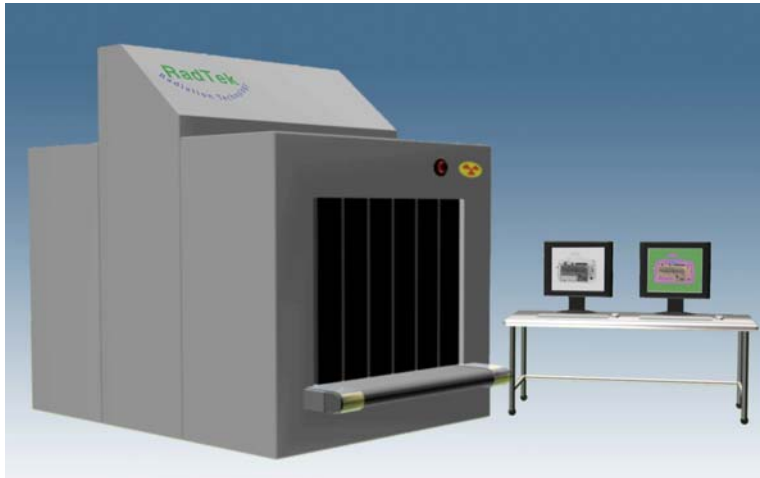


SIS-4040 Large Luggage Inspection System



- The SIS-4040 is the ideal solution for screening large size luggage, parcels and boxes for airport, government, post office and commercial applications.
- The tunnel opening of 40" (1,000mm) wide by 40" (1,000mm) high is designed to scan most parcels and hand carried luggage.
- This product is designed with a high resolution X-Ray detector array to increase detection sensitivity and resolution and improve image presentation.
- The SIS-4040 is designed to be networked with other inspection systems for high speed data transmission via Ethernet.
- It uses a Windows based operating system running a TCP/IP network protocol system.
- Images from each SIS-4040 can be sent through the network to a central server where they are viewed, stored, or printed.

☒ Imaging Characteristics

| | |
|---|--|
| B & W, Reverse Monochrome, Pseudo Color | Density Alert |
| Dual-Energy Imaging System (Optional) | Organic & Inorganic Imaging (Optional) |
| Geometrical Distortion Correction | Automatic Image Archiving - 100,000 Images |
| Color-to-Gray scale Imaging | Image Review - Last 100 Images |
| Programmable Zoom: 2x - 64x | Contrast Level Control |
| Operator Training Program | 21" LCD Monitor |

☒ Standard Features

| | |
|-----------------------------|---|
| Resolution : | 38 AWG |
| Penetration : | 1.18" (30mm) |
| Contrast Sensitivity : | 65535 gray level |
| Image Display : | Color, Organic, inorganic, B&W, Reverse Monochrome, Pseudo Color |
| Processing : | - 8, 16, 24, 32bit image processing (Min. 512MB) - Display memory ; 512MB, Dual-Core CPU (2GB) |
| Dose : | 0.1mR (typical per inspection) |
| Tunnel Size : | 40" (1,000mm) wide X 40" (1,000mm) high |
| Conveyor Speed : | Max. 1m per second |
| Density Threat Alert : | Programmable Levels |
| UPS : | Min. 5 Minute Backup (after power failure) |
| Automatic Image Archiving : | 100,000 images in a rotating buffer |
| Manual Save : | Windows Format Images |
| Print Image : | User-provided printer (Windows) |
| Power Requirements : | 110-120 VAC, 50-60 Hz, 15 Amps max 220-240 VAC, 50-60 Hz, 10 Amps max |
| Weight : | Under 1200kg |

☒ X-ray Generator

| | |
|-----------------|-------------------|
| Tube Voltage: | 160 kVp |
| Tube Current: | 1.0 mA |
| Cooling: | Sealed Oil Bath |
| Duty Cycle: | 100% |
| Beam Direction: | Upward Vertically |

☒ X-ray Detector

| | |
|-----------------------|-----------------------|
| Sensor Type : | PIN Photodiode |
| Shape : | L-Shaped Array |
| The number of pixel : | 1,400 pixels |
| Communication : | USB or LAN |
| Options : | Multi Energy Detector |

☒ Options

| | |
|--|-----------------------------|
| Multi Energy Detector | Exit Table |
| Entry/Exit Rollers | 4-Level Security Access |
| Threat Image Projection | Screener Training Program |
| Screener Assist Threat Detection | Remote Operator Workstation |
| Advance Image Archiving (200,000 images) | Dual 21" LCD Monitor |

☒ Health & Safety

Complies with published international health and Safety standards including the U.S. F.D.A. Center for Devices and Radiation Health standards for cabinet x-ray devices (Federal Standard 21-CFR 1020.40). Typical radiation leakage is less than 0.1mR/hr. That is considerably less than the maximum allowed rate of 0.5mR/hr. permitted by Federal law. Film safety is guaranteed for high speed films up to ISO 1600.

☒ Sample Images

