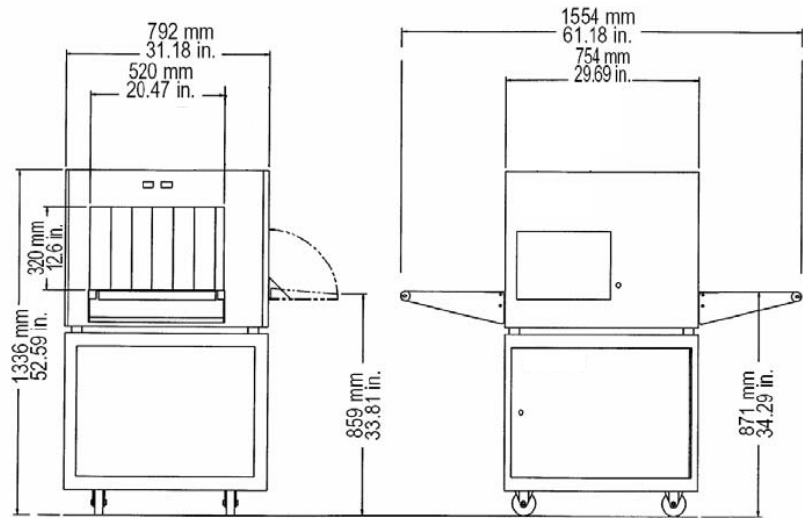


SIS-2113 Portable X-ray Inspection System



- The SIS-2113 is the ideal solution for inspecting small parcels for mail rooms, schools, airports, and commercial applications.
- The tunnel opening of 20.5" (520mm) wide by 12.6" (320mm) high is designed to meet most access control and mailroom applications.
- This product is designed with a high resolution X-Ray detector array to increase detection sensitivity and resolution and improve image presentation.
- The SIS-2113 is designed to be networked with other inspection systems for high speed data transmission via Ethernet.
- It uses a Windows XP based operating system running a TCP/IP network protocol system.
- Images from each SIS-2113 can be sent through the network to a central server where they are viewed, stored, or printed.

☒ Imaging Characteristics

B & W, Reverse Monochrome, Pseudo Color	Density Alert
Dual-Energy Imaging System (Optional)	Organic & Inorganic Imaging (Optional)
Geometrical Distortion Correction	Automatic Image Archiving - 100,000 Images
Color-to-Gray scale Imaging	Image Review - Last 100 Images
Programmable Zoom: 2x - 64x	Contrast Level Control
Operator Training Program	21" LCD Monitor

☒ Standard Features

Sensitivity :	40 AWG
Resolution :	0.39" (0.8mm) both vertical and horizontal
Penetration :	0.47" (12mm)
Contrast Sensitivity :	65535 gray level
Image Display :	Color, Organic, inorganic, B&W, Reverse Monochrome, Pseudo Color
Processing :	- 8, 16, 24, 32bit image processing (Min. 512MB) - Display memory ; 512MB, Dual-Core CPU (2GB)
Dose :	0.1mR (typical per inspection)
Tunnel Size :	21" (530mm) wide X 14" (350mm) high
Conveyor Speed :	Max. 0.30m per second
Density Threat Alert :	Programmable Levels
UPS :	Min. 5 Minute Backup (after power failure)
Automatic Image Archiving :	100,000 images in a rotating buffer
Manual Save :	Windows Format Images
Print Image :	User-provided printer (Windows)
Power Requirements :	110-120 VAC, 50-60 Hz, 15 Amps max 220-240 VAC, 50-60 Hz, 10 Amps max
Weight :	Under 250kg

☒ X-ray Generator

Voltage:	100 kVp
Tube Current:	0.7 mA
Cooling:	Sealed Oil Bath
Duty Cycle:	100%
Beam Direction:	Upward Vertically

☒ X-ray Detector

Sensor Type :	PIN Photodiode
Shape :	L-Shaped Array
The number of pixel :	1,024 pixels
Communication :	USB or LAN
Options :	Multi Energy Detector

☒ Options

Multi Energy Detector	Exit Table
Entry/Exit Rollers	4-Level Security Access
Threat Image Projection	Screener Training Program
Screener Assist Threat Detection	Remote Operator Workstation
Advance Image Archiving (200,000 images)	Dual 21" LCD Monitor

☒ Health & Safety

Complies with published international health and Safety standards including the U.S. F.D.A. Center for Devices and Radiation Health standards for cabinet x-ray devices (Federal Standard 21-CFR 1020.40). Typical radiation leakage is less than 0.1mR/hr. That is considerably less than the maximum allowed rate of 0.5mR/hr. permitted by Federal law. Film safety is guaranteed for high speed films up to ISO 1600.

☒ Sample Images

